

GENERAL TECHNICAL CHARACTERISTICS

- Dielectric : Polypropylene film
- Construction : Dry construction, filled by solid resin
Non-inductive type
- Features: Low ESR, Low Ls, high du/dt
High contact reliability
- Case : Self extinguishing plastic case UL94V0
- Leads: Tinned insert M6 or M8 fillde with resin

ELECTRICAL CHARACTERISTICS

- Working temperature : - 40 to + 85 °C
- Capacitance : 0.04 to 10μF
- Rated Voltage : 500~3000Vac
- Tolerance : ± 5%, ± 10%
- Dissipation factor: Measured at 1000±20 Hz AND 25±5°C.
When $C_r \leq 1.0\mu F$, 4×10^{-4} ;
When $C_r > 1.0\mu F$, 6×10^{-4}

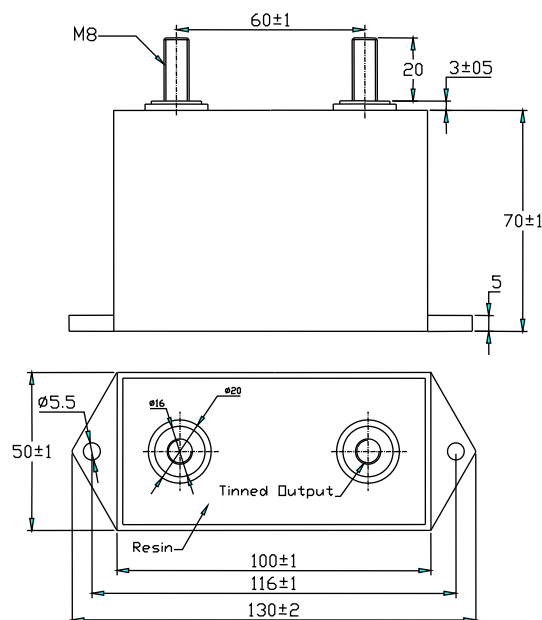
Life expectancy: 10,000 hours at U_n and 70°C
(Hotspot temperature)

TEST METHODS AND PERFORMANCES

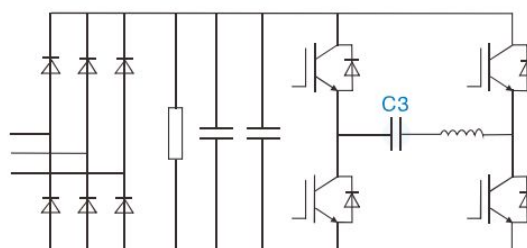
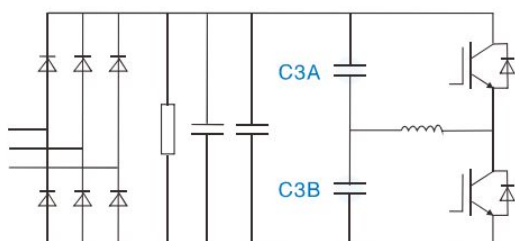
Dielectric strength: 1.5 U_r (DC) applied for 10s at 25±5°C
(1 minute for type test)

Test voltage terminal to case : 3000Vac, (10s 50Hz 20± 5°C)

Insulation resistance : 5000s but need not exceed 30GΩ
(typical value), after 1 minute of electrification at 100Vdc (25±5°C)



应用电路图:



Electrical specifications, ordering codes

Part Number	Capacitance (μF)	Full Power	Irms max@25°C @10kHz	du/dt (v/μs)	Ipeak (A)	ESR @10kHz (mΩ)
		kHz				
Up-peak 1000Vac Urms 400Vac						
DCH1000K4.7	4.7	10	120	460	2162	1.1
DCH1000K3.3	3.3	13	110	470	1551	1.2
DCH1000K1.5	1.5	27	100	1010	1515	1.2
DCH1000K1.0	1.0	40	100	1390	1390	1.3
Up-peak 1500Vac Urms 550Vac						
DCH1500K1.0	1.0	33	80	590	590	2.6
DCH1500K0.68	0.68	32	75	920	626	2.8
DCH1500K0.60	0.60	36	75	920	552	2.9
Up-peak 2000Vac Urms 750Vac						
DCH2000K1.0	1.0	15	70	590	590	2.6
DCH2000K0.68	0.68	22	70	660	449	2.8
DCH2000K0.47	0.47	27	60	1230	578	2.9
DCH2000K0.33	0.33	39	60	1350	446	3.1
Up-peak 3000Vac Urms 1000Vac						
DCH3000K0.24	0.24	33	50	1960	470	3.2
DCH3000K0.15	0.15	48	45	2950	443	3.5
DCH3000K0.12	0.12	53	40	3350	402	3.8
DCH3000K0.10	0.10	64	40	3350	335	4.1
DCH3000K0.08	0.08	70	40	3350	268	5.2
DCH3000K0.06	0.06	80	30	4740	284	7.6
DCH3000K0.04	0.04	80	30	4740	190	9.6

How to Order:

DCH- 3000 - 0.01 K M6

